

APPLICATION FOR A HOARDING PERMIT

Pursuant to Clause 3.9(2) & 3.9(3) of Community Amenity Local Law No. 1 of 2011



PROTECTION OF THE PUBLIC

Pursuant to Regulation 116 of the Building Regulations 2018

	BC _ _ _ _ _	App fee: \$287.60 (2018/2019) Street Occ: \$ (see below) Total Fee: \$
--	--------------	---

PLEASE PRINT OR USE BLOCK LETTERS

Subject Property Details

Number	Street	Suburb
Lot	LP/PS	I wish to receive information regarding this application via: <input type="checkbox"/> EMAIL <input type="checkbox"/> POST <input type="checkbox"/>

Applicant Details

Name	Mobile N ^o
Business Name	Office N ^o
Postal Address	Post Code
E-mail	Owner <input type="checkbox"/> Agent of owner <input type="checkbox"/>

Building Surveyors Details

Name	Mobile N ^o
Business	Office N ^o
Address	Post Code
E-mail	Registration N ^o

Builders Details

Name	Mobile N ^o
Business	Office N ^o
Address	Post Code
E-mail	Registration N ^o

Location Details

Footpath <input type="checkbox"/>	Nature strip <input type="checkbox"/>	Roadway <input type="checkbox"/>	Laneway <input type="checkbox"/>	Other (specify) <input type="checkbox"/>
-----------------------------------	---------------------------------------	----------------------------------	----------------------------------	--

Occupation Details

Occupation Area 1: Proposed date/s: (\$3.70/ m ² per week)	length _ . _ . _ m X width _ . _ . _ m from _ / _ / _ _ _ to _ / _ / _ _ _	= _ . _ . _ m ² x _ _ _ _ days / weeks	= \$
Occupation Area 2: Proposed date/s: (\$3.70/ m ² per week)	length _ . _ . _ m X width _ . _ . _ m from _ / _ / _ _ _ to _ / _ / _ _ _	= _ . _ . _ m ² x _ _ _ _ days / weeks	= \$
Carpark bays: (\$3.70/ m ² per week)	length _ . _ . _ m X width _ . _ . _ m # _ _ bays from _ / _ / _ _ _ to _ / _ / _ _ _	= _ . _ . _ m ² x _ _ _ _ days / weeks	= \$
(Please include this figure in the fee box at the top of the page) Street Occupation Total:			= \$



Additional Documents - Application Checklist (tick boxes of what documents have been submitted)

Note: the application cannot be lodged until all required documentation in the checklist below has been submitted

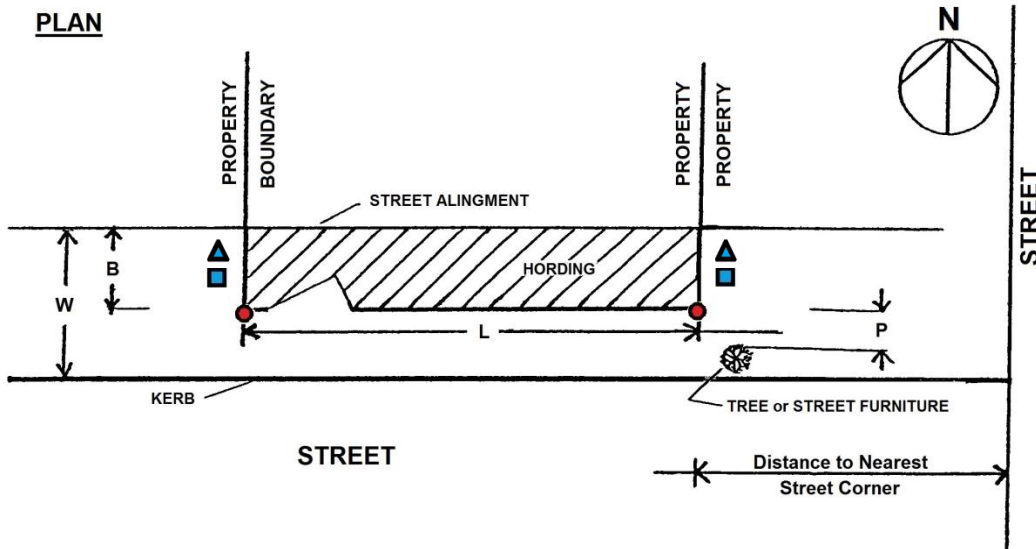
Tick <input type="checkbox"/>	<p>A hoarding plan including details of the site, the footpath/nature strip, the street, any trees, signs fixtures or fittings in the street, the type and location of the proposed hoarding, bracing details of the proposed hoarding, the location and type of pedestrian signage and any associated lighting, etc. (refer to example on next page)</p> <p>Note: Substantial hoardings (scaffold/gantry/solid braced hoarding, etc) are required to protect the public space from the building site where a 30° clear zone (a 30° line formed by connecting the highest point of the building works to the ground) cannot be achieved; i.e:</p>
<input type="checkbox"/>	A copy of the builders/excavators/demolishers/scaffolders current Public Liability Insurance Policy to the sum of \$20 million for the works they are proposing to undertake over the road reserve/street alignment.
<input type="checkbox"/>	Set of scaled drawings/plans of the proposed building works being: architectural drawings, engineers drawings , etc.
<input type="checkbox"/>	A construction and/or demolition methodology statement justifying how the proposed precautionary measures (hoardings, scaffold etc) are adequate in protecting the public.
<input type="checkbox"/>	A current copy of the Certificate of Title (Register Search Statement) and all pages of the Plan of Subdivision .
<input type="checkbox"/>	The design and certification from a Registered Civil Engineer for any proposed gantry (or walk through scaffold) which specifies the bracing details and the maximum load limitations.
<input type="checkbox"/>	A Traffic Management Plan (TMP) prepared by a registered traffic management company or Traffic Engineer for any proposal of works on the roadway and/or pedestrians on the roadway.
<input type="checkbox"/>	Additional Authority Approvals (where required): VicRoads (MOA), Powercor (Permit to Work), Public Transport Victoria, CFA, etc

Signature	
Signature of Applicant	Date

Privacy Statement: The Surf Coast Shire considers that the responsible handling of personal information is a key aspect of democratic governance, and is strongly committed to protecting an individual's right to privacy. Council will comply with the Information Privacy Principles as set out in the Privacy and Data Protection Act, 2014. The information will not be disclosed to any other party unless Council is required to do so by law.

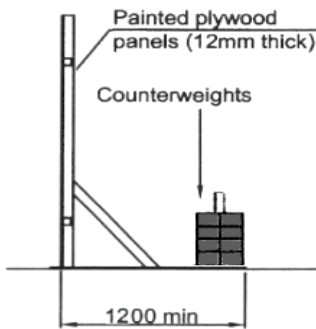
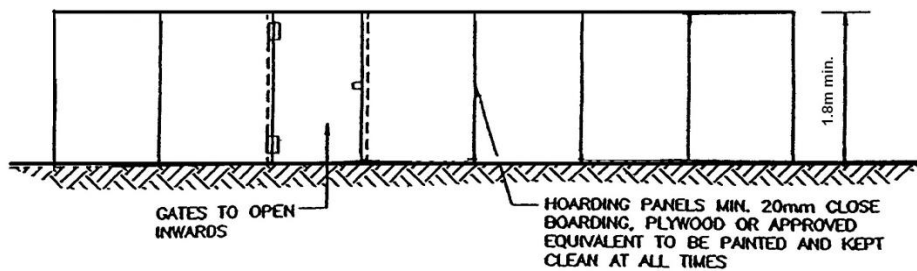
Example Minimum Information Required on a Hoarding Plan

PLAN

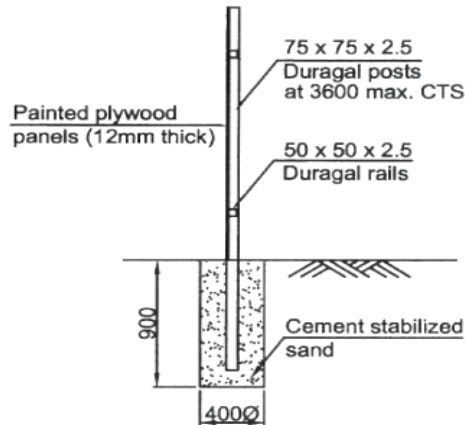


- FLASHING AMBER LIGHTS TO BE KEPT LIT FROM SUNSET TO SUNRISE
- PEDESTRIAN ADVISORY SIGNAGE SECURED TO HORDING

ELEVATION



Counterweighted Base Alternative
Section A-A



Inground Base Alternative
Section A-A

LEGEND:

- W = Footpath width
- L = Hoarding length
- B = Hoarding width
- P = Clear pedestrian access (1.5m where possible)
- A = LxB = Hoarding area

SIGNAGE:

- = ← PEDESTRIANS
Sign No: TM8-V2(L), Size: 1200x300
- = PEDESTRIANS →
Sign No: TM8-V2(R), Size: 1200x300
- ▲ = USE OTHER FOOTPATH
Sign No: TM8-V3, Size: 600x600
- ▲ = WATCH YOUR STEP
Sign No: TM8-V100, Size: 600x600
- = PEDESTRIANS →
Sign No: TM5-V5, Size: 600x600
- =

NOTE 1:

Hoardings are to be designed to the Engineering requirements and Australian Standards.

NOTE 2:

Council approval is required for any post holes or any alteration to the footpath or any signs, trees, street fixtures or fittings, etc. It is the responsibility of the applicant for the street to be reinstated at the cost of the applicant.

Credit Card Payment Details

Name on Credit Card:

CARD NUMBER - - -

EXPIRY DATE / **CCV**

Authorised payment amount: \$

Note: The sensitive information on this page will be redacted (removed) following successful payment

